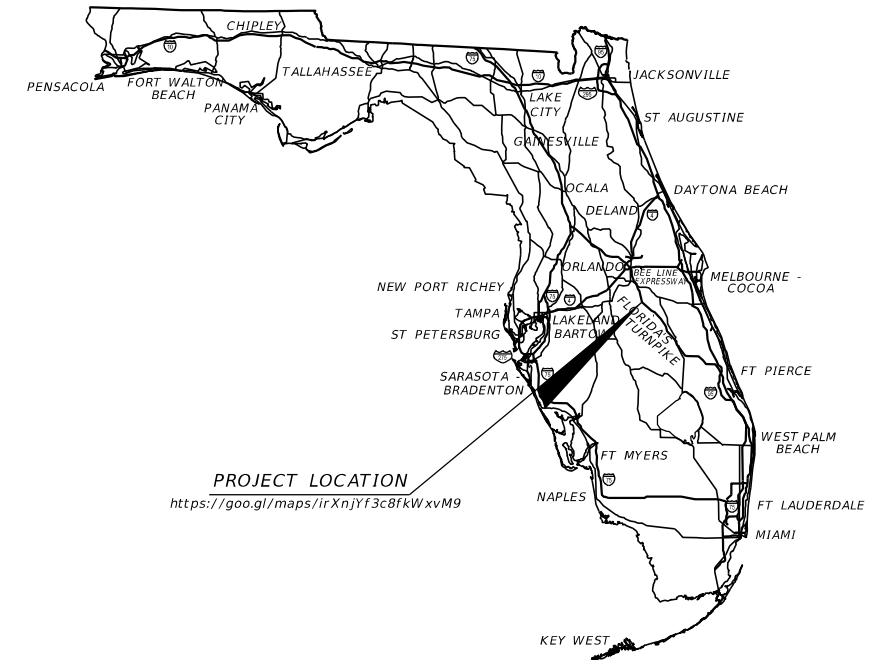


STATE OF FLORIDA
DEPARTMENT OF TRANSPORTATION

LIGHTING PLANS

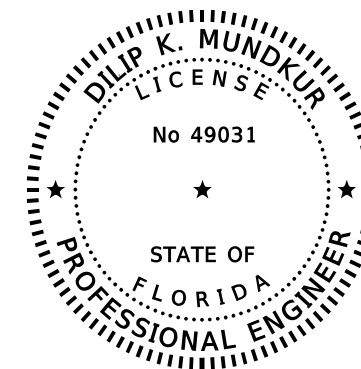
FINANCIAL PROJECT ID 436194-1-58-01
OSCEOLA COUNTY (92550000) (92540000)
COUNTY ROAD 525 (NEPTUNE ROAD)



PROJECT LOCATION
<https://goo.gl/maps/irXnjYf3cBfkWxvM9>

INDEX OF LIGHTING PLANS

SHEET NO.	SHEET DESCRIPTION
L-1	KEY SHEET
L-2	SUMMARY OF PAY ITEMS
L-3	GENERAL NOTES
L-4	POLE DATA SHEET & LEGEND
L-5	UNDERDECK LIGHTING PLAN
L-6	FLORIDA'S TURNPIK LOAD CENTER DETAILS
L-7	FLORIDA'S TURNPIK SERVICE POINT DETAILS
L-8 - L-10	UNDERDECK LIGHTING MOUNTING DETAILS



THIS ITEM HAS BEEN DIGITALLY
SIGNED AND SEALED BY

ON THE DATE ADJACENT TO THE SEAL

PRINTED COPIES OF THIS DOCUMENT ARE
NOT CONSIDERED SIGNED AND SEALED
AND THE SIGNATURE MUST BE VERIFIED
ON ANY ELECTRONIC COPIES.

LIGHTING PLANS
ENGINEER OF RECORD:

DILIP K. MUNDKUR, P.E. NO.: 49031
BES, INC.
225 AVENUE D NW
WINTER HAVEN, FLORIDA 33881
(813) 985-7800
CONTRACT NO.: C9P26
VENDOR NO.: 20-0242028

FDOT PROJECT MANAGER:

MO HASSAN, P.E.

GEC PROJECT MANAGER:

SUMAN JULURU, P.E.

CONSTRUCTION CONTRACT NO.	FISCAL YEAR	SHEET NO.
	23	L-1

TABULATION OF QUANTITIES

PAY ITEM NO.	DESCRIPTION	UNIT	SHEET NUMBERS				TOTAL THIS SHEET		GRAND TOTAL	
			L - 5				PLAN	FINAL	PLAN	FINAL
			PLAN	FINAL	PLAN	FINAL				
630-2-11	CONDUIT, F&I, OPEN TRENCH	LF	969.00				969.00		969.00	
630-2-15	CONDUIT, F&I, BRIDGE MOUNT	LF	496.00				496.00		496.00	
635-2-11	PULL & SPLICE BOX, F&I, COVER SIZE 13"X24"	EA	7.00				7.00		7.00	
635-3-12	JUNCTION BOX, FURNISH & INSTALL, MOUNTED	EA	8.00				8.00		8.00	
635-3-13	JUNCTION BOX, FURNISH & INSTALL, EMBEDDED	EA	10.00				10.00		10.00	
639-2-1	ELECTRICAL SERVICE WIRE, FURNISH & INSTALL	LF	12.00				12.00		12.00	
715-11-125	LUMINAIRE, F&I, UNDER DECK, WALL MOUNT	EA	16.00				16.00		16.00	
639-1-122	ELECTRICAL POWER SERVICE, F&I, UNDERGROUND, METER PURCHASED BY CONTRACTOR	AS	1.00				1.00		1.00	
715-7-11	LOAD CENTER, F&I, SECONDARY VOLTAGE	EA	1.00				1.00		1.00	
641-2-12	PRESTRESSED CONCRETE POLE, F&I, TYPE P-II SERVICE POLE	EA	1.00				1.00		1.00	
715-1 -12	LIGHTING CONDUCTORS, F&I, INSULATED, NO. 8 TO NO. 6	LF	9060.00				9060.00		9060.00	

1/11/2023 12:15:32 PM Zuhair A:\Worksets\FDOT\0224_NEPTUNE_43619415801_ORDN\Lighting\SPDILT01.dgn

THE OFFICIAL RECORD OF THIS SHEET IS THE ELECTRONIC FILE DIGITALLY SIGNED AND SEALED UNDER RULE 61G15-23.004, F.A.C.

REVISIONS				ENGINEER OF RECORD			STATE OF FLORIDA DEPARTMENT OF TRANSPORTATION			SUMMARY OF PAY ITEMS	SHEET NO.
DATE	DESCRIPTION	DATE	DESCRIPTION	DILIP K. MUNDKUR LICENSE NUMBER: 49031 BES, INC. 225 AVENUE D NW WINTER HAVEN, FL 33881			ROAD NO.	COUNTY	FINANCIAL PROJECT ID		L-2
							NEPTUNE	OSCEOLA	436194-1-58-01		

- BENCHMARK ELEVATIONS SHOWN ON THE PLANS ARE NORTH AMERICAN VERTICAL DATUM OF 1988 (NAVD 88).
- THE LOCATION(S) OF THE UTILITIES SHOWN IN THE PLANS (INCLUDING Vv, Vh, AND Vvh) ARE BASED ON LIMITED INVESTIGATION TECHNIQUES AND SHOULD BE CONSIDERED APPROXIMATE ONLY. THE VERIFIED LOCATIONS/ELEVATIONS APPLY ONLY AT THE POINTS SHOWN. INTERPOLATIONS BETWEEN THESE POINTS HAVE NOT BEEN VERIFIED.

3. UTILITY/AGENCY OWNERS:	COMPANY	TELEPHONE NUMBERS
	AT&T CORPORATION	813-342-0512
	AT&T DISTRIBUTION	407-351-8180
	BRIGHT HOUSE NETWORKS	407-448-5506
	CENTURYLINK	407-814-5383
	CITY OF ST. CLOUD	407-957-7265
	COMCAST COMMUNICATIONS	407-849-3611
	FLORIDA GAS TRANSMISSION	407-838-7171
	LEVEL 3 COMMUNICATIONS	407-754-0106
	ORLANDO TELEPHONE	407-595-7329
	ORLANDO UTILITIES COMMISION	407-236-9651
	OSCEOLA COUNTY	407-742-0662
	SPRINT/NEXTEL	321-287-9942
	TECO GAS	407-420-2678
	TOHO WATER AUTHORITY	407-944-5132

THE CONTACT INFORMATION IS PROVIDED FOR REFERENCE ONLY:

TURNPIKE ITS	RYAN BROWN	954-934-1614
TURNPIKE ITS MAINTENANCE	RAFAEL SENA	954-934-1624
TURNPIKE LIGHTING	DARREN DEWITT	813-345-9060
TURNPIKE CONSTRUCTION UTILITY COORDINATOR	JOHNNY BLAKENEY	954-934-1122

- AT FINAL INSPECTION, THE CONTRACTOR SHALL VERIFY THE HORIZONTAL FOOT-CANDLE LEVELS ON THE ROADWAY WITH AN APPROVED AND PROPERLY CALIBRATED LIGHT METER.
- IN ACCORDANCE WITH N.E.C., IDENTIFY ALL CIRCUITS AND EQUIPMENT WITH "LAMACOID TAGS". INSTALL SIMILAR TAGS OF STAINLESS STEEL, IDENTIFYING CIRCUIT FOR EACH LUMINAIRE AT ACCESS HANDHOLE FOR EACH POLE.
- NOTIFY UTILITY POWER SERVICE PROVIDER AT LEAST 48 HOURS PRIOR TO ANY INSTALLATION THAT IS WITHIN 10 FEET OF ENERGIZED ELECTRICAL CONDUCTORS. UTILITY POWER SERVICE PROVIDER, AT IT'S OPTION, SHALL ASSIST THE F.D.O.T. CONTRACTOR TO COVER UP ENERGIZED CONDUCTORS AT INSTALLATION SITE OR TAKE OTHER SAFETY PRECAUTIONS AS NECESSARY. EXTREME CAUTION SHALL BE EXERCISED AT ALL TIMES IN PERFORMANCE OF WORK AROUND THE PRIMARY, HIGH VOLTAGE COMPONENTS.
- PULLING INSTRUCTIONS: CONNECT PULLING DEVICES TO COPPER WIRE AND NOT TO JACKET AND MEET MANUFACTURER'S REQUIREMENTS. USE PULLING COMPOUND PER MANUFACTURER'S REQUIREMENTS. ALL BENDS SHALL NOT BE LESS THAN RECOMMENDED BY N.E.C. OR N.E.S.C. FOR CABLE USED. PULL CABLE SHALL BE POLYESTER. STEEL CABLE OR FISH TAPES NOT ALLOWED.
- EXISTING LIGHTING EQUIPMENT POWER SOURCES SHALL BE VERIFIED BY THE CONTRACTOR PRIOR TO COMMENCING DEMOLITION/REMOVAL WORK.
- ALL CONDUITS SHALL BE MANDREL TESTED AND CLEANED. CONDUITS PLACED FOR FUTURE USE SHALL HAVE. 3/4" POLYESTER CORD PULLED IN PLACE AND CAPPED WITH NOTATION INSIDE CONDUIT AS TO LOCATION OF OPPOSITE END. PLACE DUCT MARKER OR PULL BOXES TO MARK ENDS OF EMPTY CONDUITS.
- THE CONTRACTOR SHALL REMOVE ALL OUT OF SERVICE ROADWAY LIGHTING SYSTEM COMPONENTS INCLUDING UNDERGROUND AND SURFACE MOUNT CONDUITS, CONDUCTORS, POLE BASES, POLES, PULL BOXES, SERVICE POINTS, LOAD CENTERS, AND ALL OTHER ANCILLARY COMPONENTS RELATED TO THE LIGHTING SYSTEM NOTED IN THE PLANS.
- CONTACT THE POWER COMPANY AND TELEPHONE COMPANY WITHIN 10 DAYS OF THE AWARD OF THE CONTRACT AND SCHEDULE NEW/RELOCATED SERVICE INSTALLATION.
- CONDUITS THAT CONTAIN LIGHTING CIRCUITS SHALL BE GREY IN COLOR. CONDUITS THAT CONTAIN POWER CIRCUITS SHALL BE RED IN COLOR.

1/11/2023 12:15:32 PM Zuhair A:\Work\seis\FDOT\0224_NEPTUNE_43619415801_ORDN\Lighting\GNM\LT01.dgn

REVISIONS				ENGINEER OF RECORD		STATE OF FLORIDA DEPARTMENT OF TRANSPORTATION			GENERAL NOTES	SHEET NO.
DATE	DESCRIPTION	DATE	DESCRIPTION	DILIP K. MUNDKUR LICENSE NUMBER: 49031 BES, INC. 225 AVENUE D NW WINTER HAVEN, FL 33881		ROAD NO.	COUNTY	FINANCIAL PROJECT ID		L-3
						NEPTUNE	OSCEOLA	436194-1-58-01		

THE OFFICIAL RECORD OF THIS SHEET IS THE ELECTRONIC FILE DIGITALLY SIGNED AND SEALED UNDER RULE 61G15-23.004, F.A.C.

LEGEND



PIER OR WALL MOUNTED 54 WATTS LED LUMINAIRE. THE BASIS OF DESIGN USED WAS:
 MANUFACTURER: THE VISIONAIRE LIGHTING "BSX-II-3_T2_48LC_3_3K-UNV_CLS".
 ROADWAY CLASSIFICATION: TYPE II
 LONGITUDINAL CLASSIFICATION: SHORT
 UPWARD WASTE LIGHT RATIO: 0.00
 INDOOR CLASSIFICATION: DIRECT
 LUMINAIRE EFFICACY RATING (LER): 111
 MAXIMUM UGR: 38.7
 BUG RATING: B1-U0-G3
 LUMINAIRE LUMENS: 6001.1
 WATTS: 54



PROPOSED 3/4" SCHEDULE 80 PVC CONDUIT BRIDGE/SURFACE MOUNTED WITH THWN-2 INSULATION.
 GROUND CONDUCTORS MUST HAVE GREEN COLOR INSULATION. RUN GROUND CONDUCTORS INSIDE CONDUIT W/ OTHER CONDUCTORS.



PROPOSED 2" EMBEDDED CONDUIT, DIMENSIONS NOTED IN PLANS. GROUND CONDUCTORS SHALL HAVE GREEN COLOR INSULATION.
 RUN GROUND CONDUCTORS INSIDE WITH OTHER CONDUCTORS.



PROPOSED 2" SCHEDULE 40 P.V.C. CONDUIT, UNLESS OTHERWISE NOTED IN THE PLANS, OPEN TRENCH, CONTAINING CIRCUIT CONDUCTORS
 AS INDICATED IN PLANS. RUN GROUND CONDUCTORS INSIDE CONDUIT WITH OTHER CONDUCTORS.



PROPOSED PULL BOX



PROPOSED EMBEDDED JUNCTION BOX



PROPOSED SURFACE MOUNTED JUNCTION BOX



LOAD CENTER



SERVICE POINT, 240/480 V, 1 PHASE, 3W



CONCRETE POLE WITH SWITCH DISCONNECT AND METER

TURNPIKE (SR91) MAINLINE UNDER NEPTUNE ROAD BRIDGE	
AVERAGE ILLUMINANCE	1.7 FOOT CANDLES
UNIFORMITY RATIO AVG./MIN.	4:1 OR LESS
MAX./MIN.	10:1 OR LESS

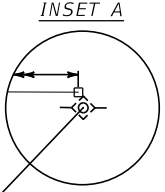
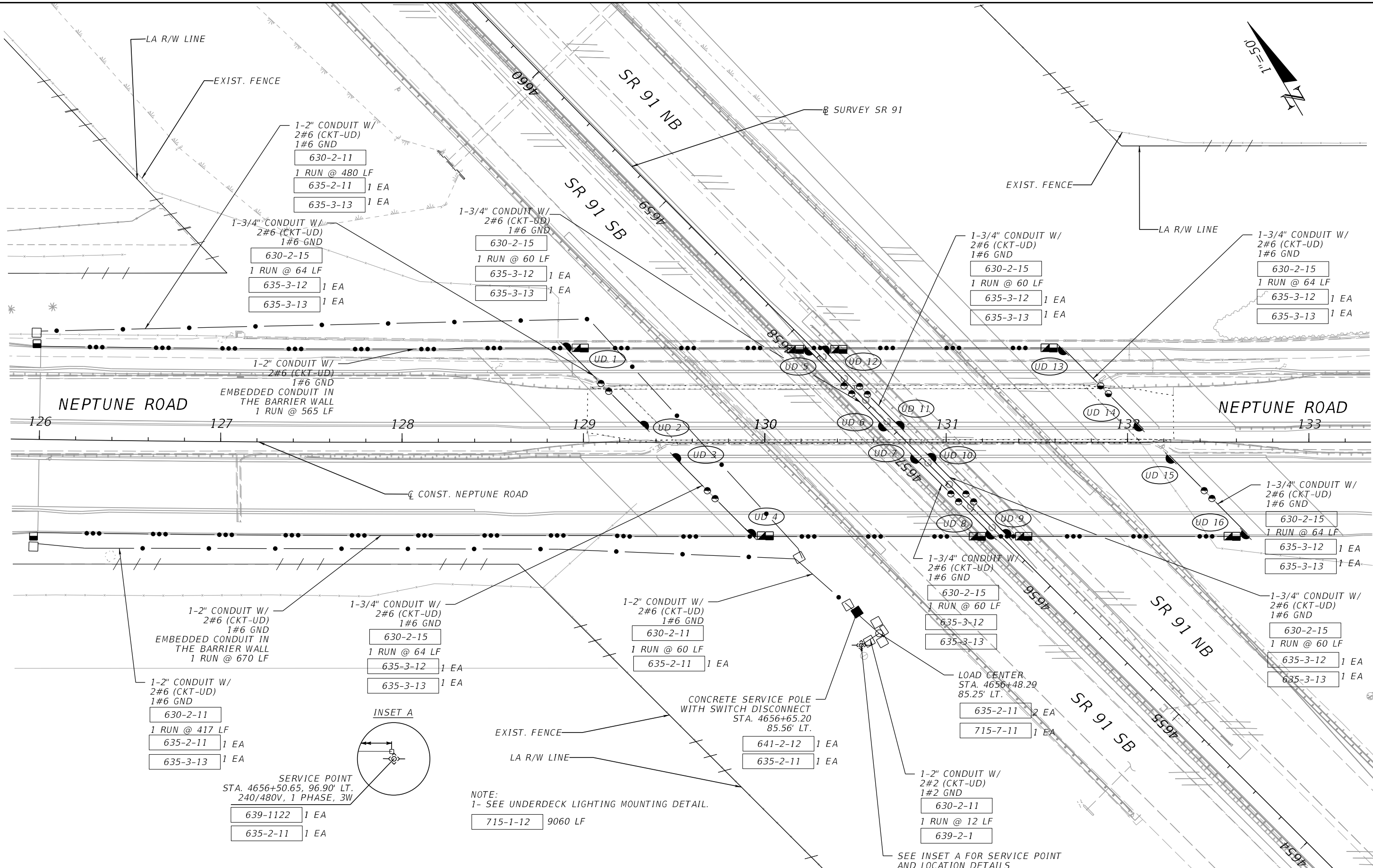
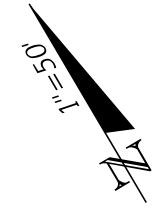
UNDERDECK LIGHTING DATA

FIXTURE NO.	CIRCUIT	STATION / OFFSET @ SURVEY SR 91	MOUNTING	LUMINAIRE WATTAGE	MOUNTING HEIGHT	TILT (DEGREES)	PAY ITEM
UD 1	CKT-UD	STA. 4658+81.26 96.20' LT.	ADJUSTABLE WALL MOUNT	54	14'	30	715-11-125
UD 2	CKT-UD	STA. 4658+20.90 96.35' LT.	ADJUSTABLE WALL MOUNT	54	14'	30	715-11-125
UD 3	CKT-UD	STA. 4657+95.75 96.45' LT.	ADJUSTABLE WALL MOUNT	54	14'	30	715-11-125
UD 4	CKT-UD	STA. 4657+36.92 96.72' LT.	ADJUSTABLE WALL MOUNT	54	14'	30	715-11-125
UD 5	CKT-UD	STA. 4657+85.97 2.12' LT.	ADJUSTABLE WALL MOUNT	54	14'	30	715-11-125
UD 6	CKT-UD	STA. 4657+27.43 2.71' LT.	ADJUSTABLE WALL MOUNT	54	14'	30	715-11-125
UD 7	CKT-UD	STA. 4657+02.36 2.82' LT.	ADJUSTABLE WALL MOUNT	54	14'	30	715-11-125
UD 8	CKT-UD	STA. 4656+43.36 2.98' LT.	ADJUSTABLE WALL MOUNT	54	14'	30	715-11-125
UD 9	CKT-UD	STA. 4656+37.39 2.75' RT.	ADJUSTABLE WALL MOUNT	54	14'	30	715-11-125
UD 10	CKT-UD	STA. 4656+96.29 3.17' RT.	ADJUSTABLE WALL MOUNT	54	14'	30	715-11-125
UD 11	CKT-UD	STA. 4657+21.21 3.26' RT.	ADJUSTABLE WALL MOUNT	54	14'	30	715-11-125
UD 12	CKT-UD	STA. 4657+79.62 3.58' RT.	ADJUSTABLE WALL MOUNT	54	14'	30	715-11-125
UD 13	CKT-UD	STA. 4656+87.05 97.11' RT.	ADJUSTABLE WALL MOUNT	54	14'	30	715-11-125
UD 14	CKT-UD	STA. 4656+27.79 96.88' RT.	ADJUSTABLE WALL MOUNT	54	14'	30	715-11-125
UD 15	CKT-UD	STA. 4656+02.77 96.78' RT.	ADJUSTABLE WALL MOUNT	54	14'	30	715-11-125
UD 16	CKT-UD	STA. 4655+44.05 96.55' RT.	ADJUSTABLE WALL MOUNT	54	14'	30	715-11-125

1/11/2023 12:15:34 PM Zuhair N:\Worksets\FDOT\0224_NEPTUNE_43619415801_ORD\Lighting\PLD\L101.dgn

REVISIONS				ENGINEER OF RECORD			STATE OF FLORIDA DEPARTMENT OF TRANSPORTATION			SHEET NO.
DATE	DESCRIPTION	DATE	DESCRIPTION				ROAD NO.	COUNTY	FINANCIAL PROJECT ID	
				DILIP K. MUNDKUR LICENSE NUMBER: 49031 BES, INC. 225 AVENUE D NW WINTER HAVEN, FL 33881						
POLE DATA SHEET & LEGEND										L-4

THE OFFICIAL RECORD OF THIS SHEET IS THE ELECTRONIC FILE DIGITALLY SIGNED AND SEALED UNDER RULE 61G15-23.004, F.A.C.



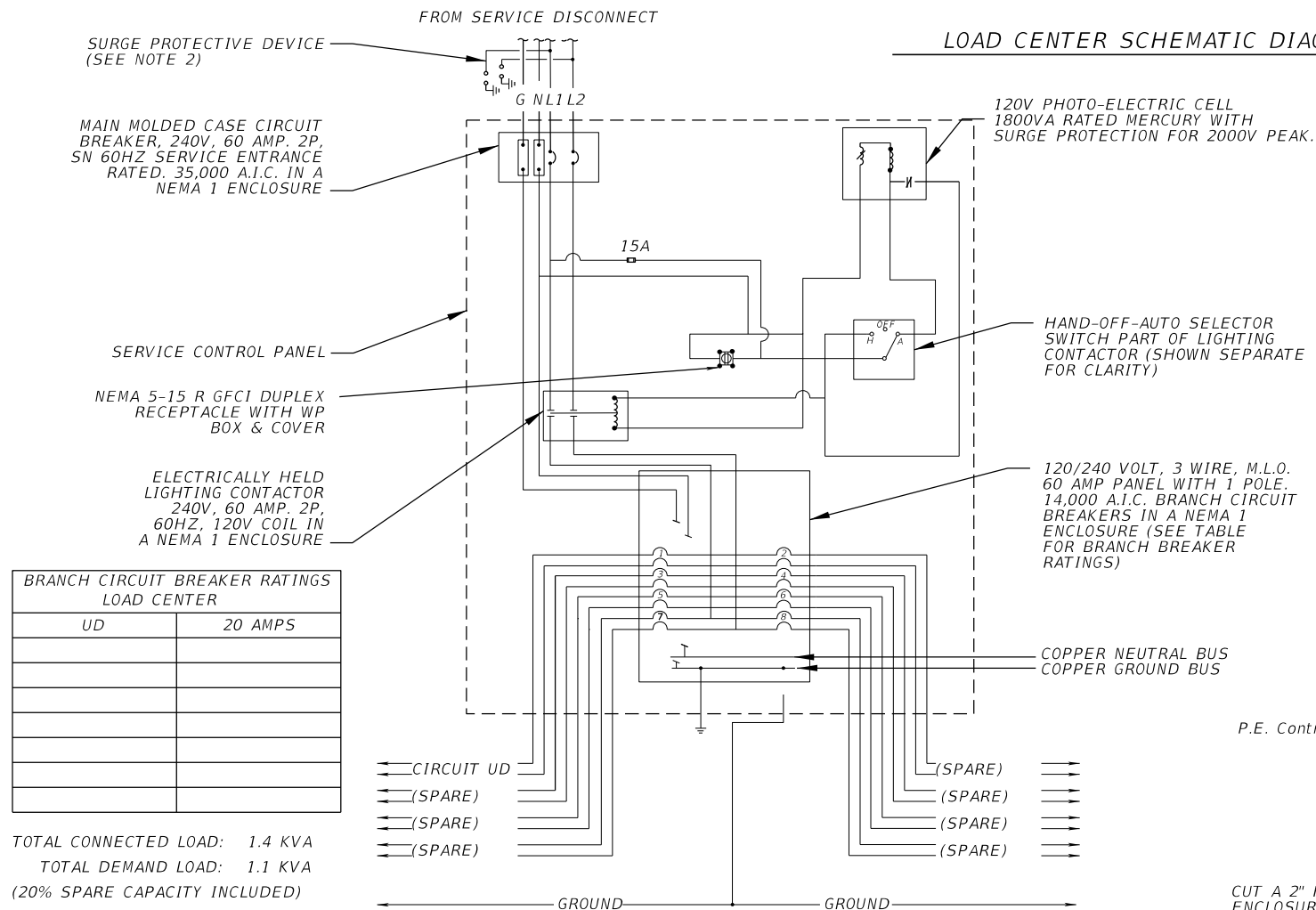
NOTE:
1- SEE UNDERDECK LIGHTING MOUNTING DETAIL.

SEE INSET A FOR SERVICE POINT AND LOCATION DETAILS

1/11/2023 12:15:41 PM Zuhair A:\Work\seis\FDOT\0224_NEPTUNE_43619415801_ORDN\Lighting\PLAN\LTO1.dgn

THE OFFICIAL RECORD OF THIS SHEET IS THE ELECTRONIC FILE DIGITALLY SIGNED AND SEALED UNDER RULE 61G15-23.004, F.A.C.

REVISIONS				ENGINEER OF RECORD			STATE OF FLORIDA DEPARTMENT OF TRANSPORTATION			SHEET NO.
DATE	DESCRIPTION	DATE	DESCRIPTION	DILIP K. MUNDKUR LICENSE NUMBER: 49031 BES, INC. 225 AVENUE D NW WINTER HAVEN, FL 33881			ROAD NO.	COUNTY	FINANCIAL PROJECT ID	
										NEPTUNE
UNDERDECK LIGHTING PLAN										



LOAD CENTER SCHEMATIC DIAGRAM

N.T.S.

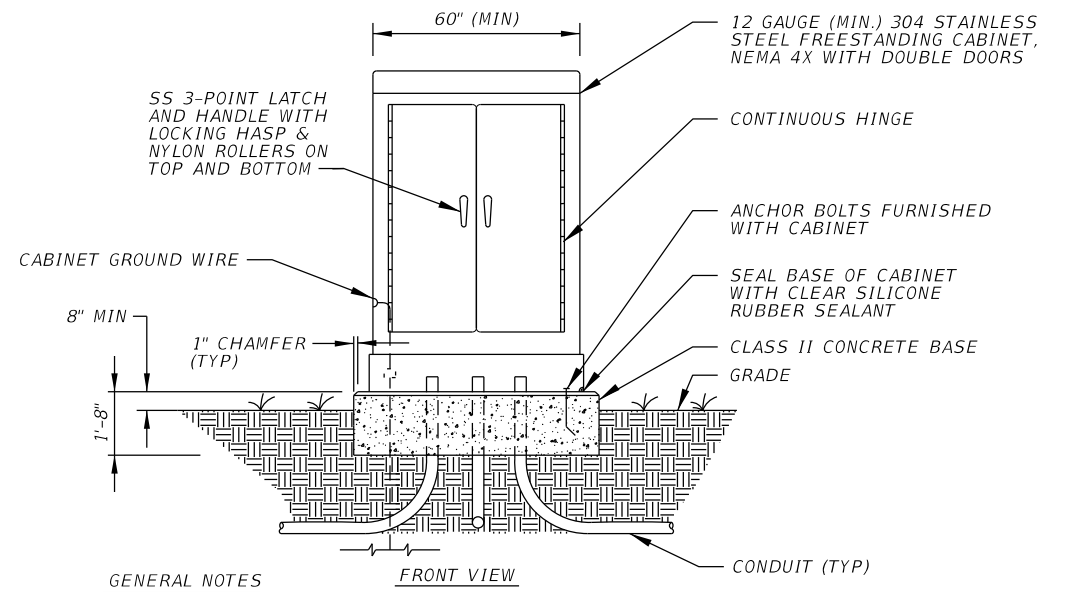
240/480V, 1PH, 3W WITH GROUND BUS

PANELBOARD SCHEDULE

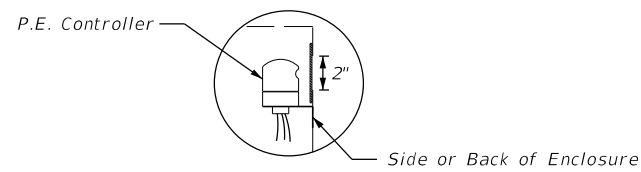
CKT. NO.	VA	POLE	BKR	LOAD	CKT. NO.	VA	POLE	BKR	LOAD
UD	1425	1	20	NEPTUNE RD UNDERDECK LIGHTING					

60 AMPS, MLO
NEMA 1 ENCLOSURE

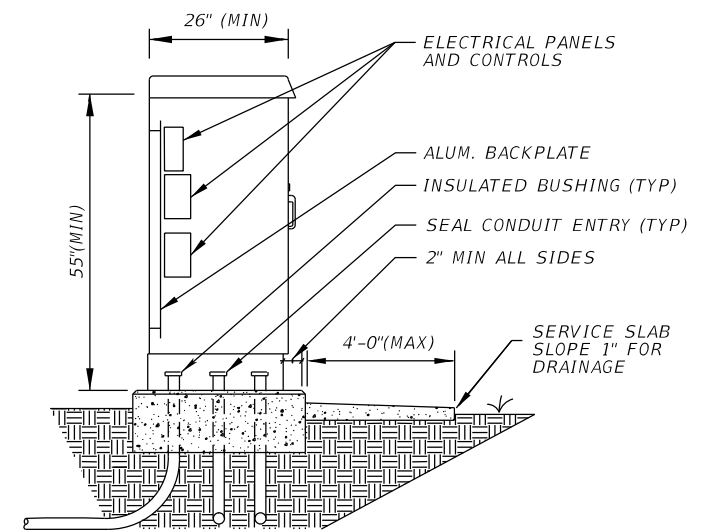
TOTAL CONNECTED LOAD:	1.4 KVA
TOTAL CONNECTED LOAD:	3.0 AMPS
TOTAL DEMAND LOAD:	1.1 KVA
TOTAL DEMAND LOAD:	2.4 AMPS



1. STUB-OUT ONE (1) SPARE 2" PVC CONDUIT BELOW GRADE AND BEYOND CONCRETE BASE. CAP ENDS AND INDICATE LOCATION OF STUB-OUT INSIDE CABINET



N.T.S.

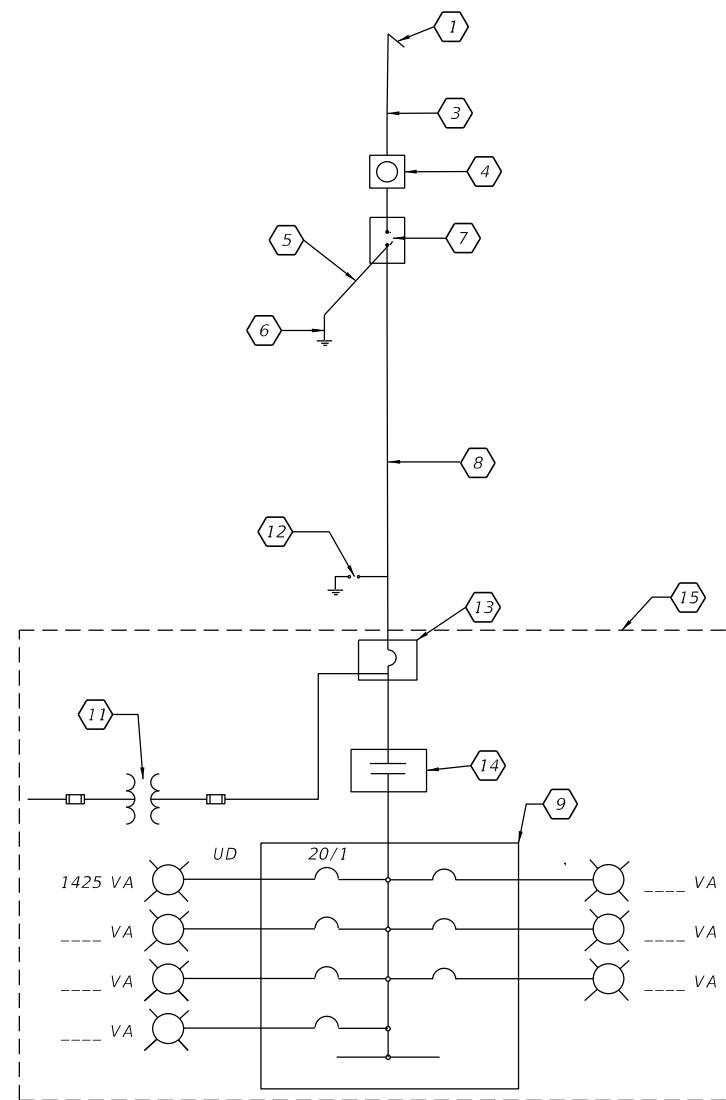


LOAD CENTER ENCLOSURE DETAIL

N.T.S.

REVISIONS				ENGINEER OF RECORD		STATE OF FLORIDA DEPARTMENT OF TRANSPORTATION			SHEET NO.
DATE	DESCRIPTION	DATE	DESCRIPTION	DILIP K. MUNDKUR LICENSE NUMBER: 49031 BES, INC. 225 AVENUE D NW WINTER HAVEN, FL 33881		ROAD NO.	COUNTY	FINANCIAL PROJECT ID	
						NEPTUNE	OSCEOLA	436194-1-58-01	L-6

LOAD CENTER

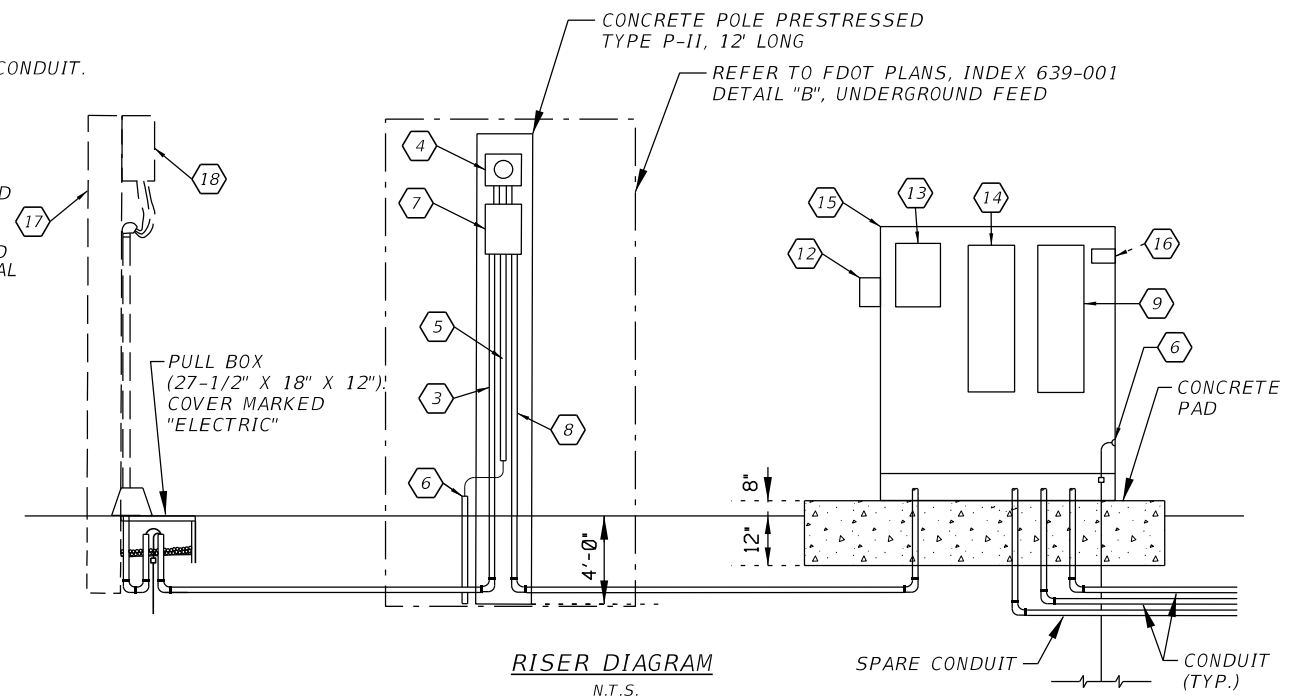


TOTAL CONNECTED LOAD: 1.4 KVA
 TOTAL DEMAND LOAD: 1.1 KVA

ONE LINE DIAGRAM
N.T.S.

KEYED NOTES

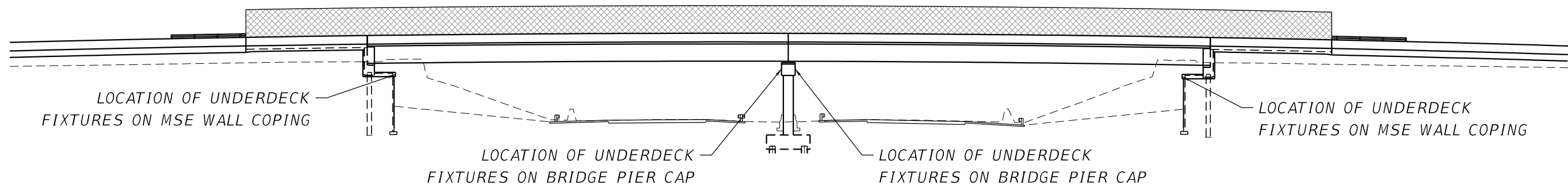
- 1 240/480 V SINGLE PHASE 3-WIRE SECO ELECTRIC SERVICE. SAFETY SWITCH ON SERVICE SIDE OF METER WHEN REQUIRED BY POWER COMPANY.
- 2 NOT USED
- 3 2#1/0 AWG & 1#1/0 AWG (G) IN 2" RIGID GALVANIZED STEEL CONDUIT.
- 4 METER AS REQUIRED. HEIGHT SPECIFIED BY POWER COMPANY.
- 5 1#6 AWG INSULATED COPPER GROUND WIRE IN 1" RIGID GALVANIZED STEEL CONDUIT.
- 6 #6 INSULATED COPPER GROUND WIRE TO COPPER CLAD GROUND ROD, MIN. 3/8" DIA. 40' LONG.
- 7 480V ENCLOSED BREAKER NEMA 3R SERVICE ENTRANCE RATED WITH NEUTRAL AND GROUND KITS. BOND THE SERVICE NEUTRAL TO GROUND.
- 8 2#1/0 AWG, 1#1/0 AWG (N), & 1#1/0 AWG (G) IN 2 1/2" RIGID GALVANIZED STEEL CONDUIT.
- 9 PANEL BOARD, 100 AMP, 480V, SINGLE PHASE, 3-WIRE WITH CIRCUIT BREAKERS AND GROUND BAR AS INDICATED.
- 10 ROADWAY LUMINAIRE CONNECTED TO CIRCUIT C-2.
- 11 CONTROL TRANSFORMER 1 KVA SINGLE PHASE, 480V PRIMARY 120V SECONDARY.
- 12 SURGE PROTECTIVE DEVICE (SPD).
- 13 MAIN CIRCUIT BREAKER 100 AMPS, 2-POLE, 480V, 35,000 AIC.
- 14 100 AMP, 2-POLE, ELECTRICALLY HELD CONTACTOR.
- 15 FREE STANDING NEMA 4X STAINLESS STEEL ENCLOSURE WITH TWO DOORS.
- 16 PHOTOELECTRIC SWITCH.
- 17 EXISTING SECO SERVICE POLE.
- 18 EXISTING SECO TRANSFORMER.



1/11/2023 12:15:43 PM Zuhair A:\Work\seis\FDOT\0224_NEPTUNE_43619415801_ORDN\Lighting\LUDTLT01.dgn

THE OFFICIAL RECORD OF THIS SHEET IS THE ELECTRONIC FILE DIGITALLY SIGNED AND SEALED UNDER RULE 61G15-23.004, F.A.C.

REVISIONS				ENGINEER OF RECORD		STATE OF FLORIDA DEPARTMENT OF TRANSPORTATION			FLORIDA'S TURNPIKE SERVICE POINT DETAILS	SHEET NO.
DATE	DESCRIPTION	DATE	DESCRIPTION	DILIP K. MUNDKUR LICENSE NUMBER: 49031 BES, INC. 225 AVENUE D NW WINTER HAVEN, FL 33881		ROAD NO.	COUNTY	FINANCIAL PROJECT ID		L-7
								NEPTUNE		

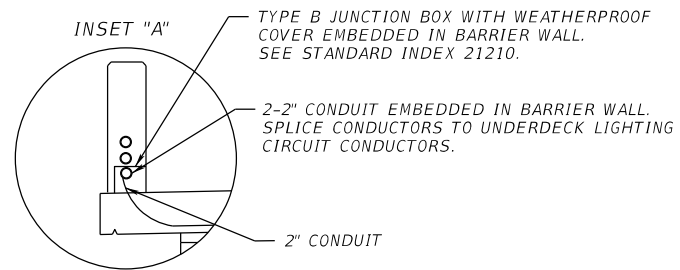
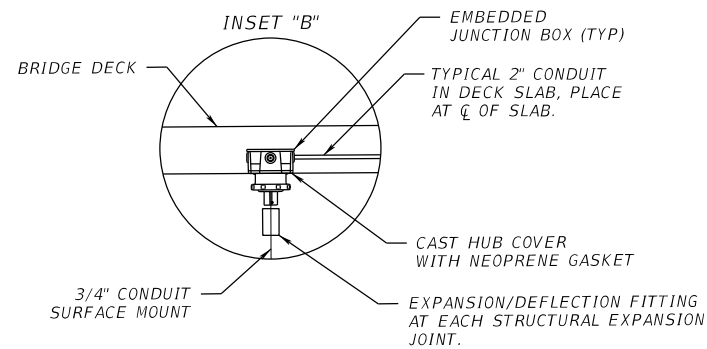


LOCATION OF THE UNDERDECK FIXTURES
TURNPIKE (SR91) MAINLINE UNDER NEPTUNE ROAD BRIDGE

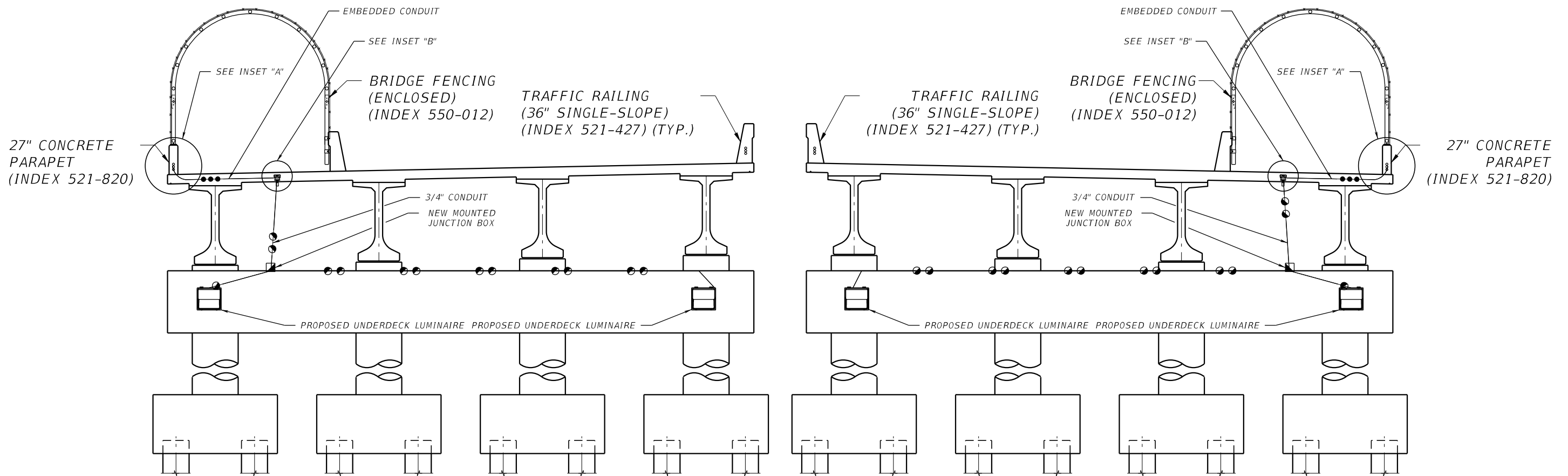
1/11/2023 12:15:43 PM Zuhair A:\Worksets\FDOT\0224_NEPTUNE_43619415801_ORDN\Lighting\LUDTLT01.dgn

THE OFFICIAL RECORD OF THIS SHEET IS THE ELECTRONIC FILE DIGITALLY SIGNED AND SEALED UNDER RULE 61G15-23.004, F.A.C.

REVISIONS				ENGINEER OF RECORD		STATE OF FLORIDA DEPARTMENT OF TRANSPORTATION			UNDERDECK LIGHTING MOUNTING DETAILS	SHEET NO.
DATE	DESCRIPTION	DATE	DESCRIPTION	DILIP K. MUNDKUR LICENSE NUMBER: 49031 BES, INC. 225 AVENUE D NW WINTER HAVEN, FL 33881		ROAD NO.	COUNTY	FINANCIAL PROJECT ID		L-8
						NEPTUNE	OSCEOLA	436194-1-58-01		



- REFERENCE NOTES:
1. REFER TO UNDERDECK LUMINAIRE DATA FOR MOUNTING HEIGHTS. ADJUST MOUNTING HEIGHT IF NECESSARY TO ENSURE THE TOP OF THE UNDERDECK FIXTURE IS FLUSH WITH THE TOP EDGE OF THE WALL COPING. UNDERDECK SHALL NOT BE MOUNTED ON MSE WALL.
 2. SEE SPECIFIC UNDERDECK LIGHTING DETAIL PLAN VIEW FOR CONDUCTOR SIZES AND ADDITIONAL CONDUIT ROUTING DETAILS. ALL SURFACE MOUNTED CONDUIT SHALL BE MOUNTED TO END BENTS AND THE UNDERSIDE OF THE DECK. THERE SHALL BE NO DRILLING THROUGH BEAMS. THERE SHALL BE NO CONNECTION OF ANY TYPE TO THE BEAMS.
 3. FOR SURFACE MOUNTED CONDUIT, PROVIDE EXPANSION/DEFLECTION FITTING AT ALL SUBSTRUCTURE SUPPORTS FOR LATERAL MOVEMENTS IN THE BRIDGE LONGITUDINAL DIRECTION - 2" MINIMUM.



TYPICAL PIER MOUNT UNDERDECK LIGHTING DETAIL

1/11/2023 12:15:44 PM Zuhair A:\Worksets\FDOT\0224_NEPTUNE_43619415801_ORDN\Lighting\LUDTLT01.dgn

REVISIONS			
DATE	DESCRIPTION	DATE	DESCRIPTION

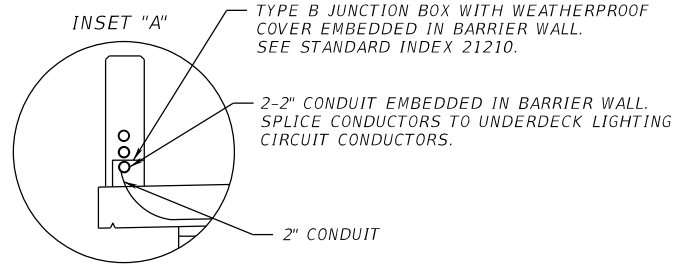
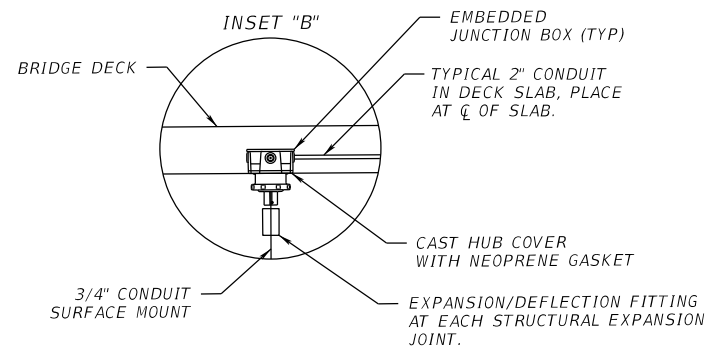
ENGINEER OF RECORD
 DILIP K. MUNDKUR
 LICENSE NUMBER: 49031
 BES, INC.
 225 AVENUE D NW
 WINTER HAVEN, FL 33881

STATE OF FLORIDA DEPARTMENT OF TRANSPORTATION		
ROAD NO.	COUNTY	FINANCIAL PROJECT ID
NEPTUNE	OSCEOLA	436194-1-58-01

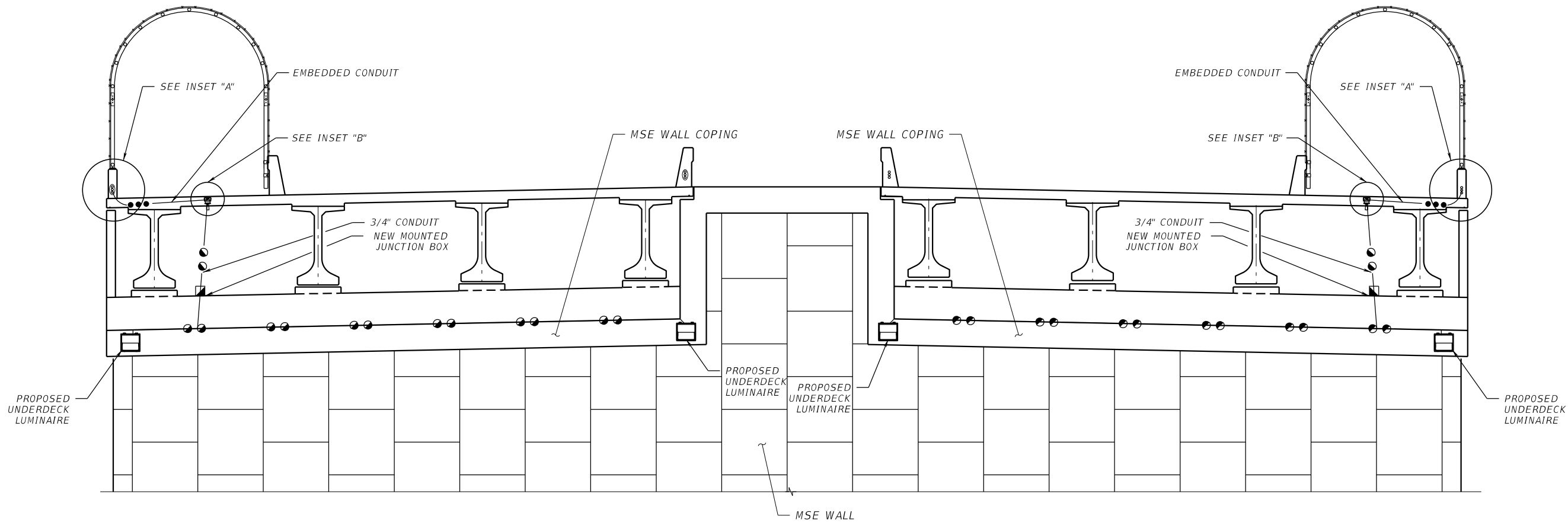
**UNDERDECK LIGHTING
MOUNTING DETAILS**

SHEET NO.
L-9

THE OFFICIAL RECORD OF THIS SHEET IS THE ELECTRONIC FILE DIGITALLY SIGNED AND SEALED UNDER RULE 61G15-23.004, F.A.C.



- REFERENCE NOTES:
1. REFER TO UNDERDECK LUMINAIRE DATA FOR MOUNTING HEIGHTS. ADJUST MOUNTING HEIGHT IF NECESSARY TO ENSURE THE TOP OF THE UNDERDECK FIXTURE IS FLUSH WITH THE TOP EDGE OF THE WALL COPING. UNDERDECK SHALL NOT BE MOUNTED ON MSE WALL.
 2. SEE SPECIFIC UNDERDECK LIGHTING DETAIL PLAN VIEW FOR CONDUCTOR SIZES AND ADDITIONAL CONDUIT ROUTING DETAILS. ALL SURFACE MOUNTED CONDUIT SHALL BE MOUNTED TO END BENTS AND THE UNDERSIDE OF THE DECK. THERE SHALL BE NO DRILLING THROUGH BEAMS. THERE SHALL BE NO CONNECTION OF ANY TYPE TO THE BEAMS.
 3. FOR SURFACE MOUNTED CONDUIT, PROVIDE EXPANSION/DEFLECTION FITTING AT ALL SUBSTRUCTURE SUPPORTS FOR LATERAL MOVEMENTS IN THE BRIDGE LONGITUDINAL DIRECTION - 2" MINIMUM.



TYPICAL MSE WALL COPING MOUNT UNDERDECK LIGHTING DETAIL

1/11/2023 12:15:45 PM Zuhair A:\Worksets\FDOT\0224_NEPTUNE_43619415801_ORDN\Lighting\LUDTLT01.dgn

REVISIONS				ENGINEER OF RECORD		STATE OF FLORIDA DEPARTMENT OF TRANSPORTATION			SHEET NO.
DATE	DESCRIPTION	DATE	DESCRIPTION			ROAD NO.	COUNTY	FINANCIAL PROJECT ID	
				DILIP K. MUNDKUR LICENSE NUMBER: 49031 BES, INC. 225 AVENUE D NW WINTER HAVEN, FL 33881		NEPTUNE	OSCEOLA	436194-1-58-01	L-10

**UNDERDECK LIGHTING
MOUNTING DETAILS**

THE OFFICIAL RECORD OF THIS SHEET IS THE ELECTRONIC FILE DIGITALLY SIGNED AND SEALED UNDER RULE 61G15-23.004, F.A.C.